

# LUFTool Adapter

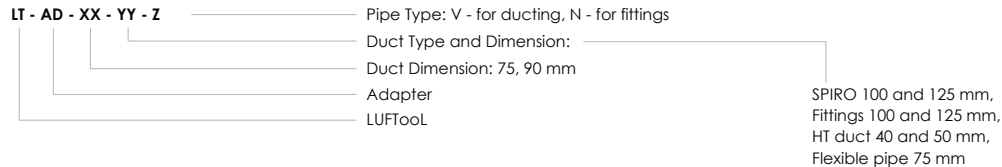
## Our Adapters are:

- manufactured in 13 designs
- suitable for flexible pipes of various manufacturers, fittings of SPIRO duct type and for flexible aluminium pipes (SONO, Thermo type, etc.)
- very tight:
  - the connection of the flexible pipe and the transition achieves class C tightness (according to EN 15727) thanks to the use of a sealing ring
  - the connection of the fitting with the SPIRO duct sealing rubber and the transition achieves class D tightness (according to EN 15727)
  - the connection of the SPIRO duct and the transition is recommended to be sealed with aluminium tape
- thanks to their shape and design they achieve low pressure drop values
- made of PETG:
  - which is flexible and solid
  - has high impact resistance and durability
  - is made from health-safe materials
  - has low shrinkage on cooling
  - is 100% recyclable

### Package includes:

Plastic transition, sealing and locking ring - according to the number of connected flexible pipes.  
Delivery does NOT include aluminium tape. Packed in stretch foil.

## Coding:



## Installation:

LUFTool adapters ensure quick installation.

### A. Flexible plastic pipe

1. Thread the sealing ring onto the plastic flexible pipe between the first and second rib.
2. Apply lubricant (not included) to the sealing ring.
3. Insert the flexible plastic pipe into the adapter so that the locking holes are over the grooves.
4. Slide the blue locking ring over the holes in the adapter between the ribs of the plastic pipe.

### B. SPIRO duct (SONO pipe)

1. Slide the duct onto the adapter and screw through.
2. Seal with aluminium tape.

### C. SPIRO fittings

1. Slide the fitting with the sealing ring into the adapter and screw through.
2. Seal with aluminium tape.

### D. HT pipe

1. Slide the HT pipe flange onto the adapter.
2. Seal with aluminium tape.

Check the anchorage of the pipe in front of and behind the adapter at the maximum distance of 0.5 m.

The LUFTool Adapter offers a complete system of transitions between the 100 and 125 mm SPIRO duct and fittings sizes and modern plastic flexible pipe systems with 75 and 90 mm outer diameters. The joints are tight and solid thanks to the use of sealing and locking rings.

## Basic Types:

### Transition from 75 mm flexible pipe to:

**SPIRO 100 and 125 mm**  
ID: LT-AD-75-100-V  
LT-AD-75-125-V



**HT duct 40 a 50 mm**  
ID: LT-AD-75-HT-40  
LT-AD-75-HT-50



**Flexible pipe 90 mm**  
ID: LT-AD-75-90



**Fittings 100 and 125 mm**  
ID: LT-AD-75-100-N  
LT-AD-75-125-N



\* We recommend using fittings with sealings.

### Transition from 90 mm flexible pipe to:

**SPIRO 100 and 125 mm**  
ID: LT-AD-90-100-V  
LT-AD-90-125-V



**HT duct 40 a 50 mm**  
ID: LT-AD-90-HT-40  
LT-AD-90-HT-50



**Fittings 100 and 125 mm**  
ID: LT-AD-90-100-N  
LT-AD-90-125-N



\* We recommend using fittings with sealings.

## Pressure Drop Values ΔP (Pa):

$$P_{tot} = P_{stat} + P_{dyn}$$

Values for supply and exhaust air.

Size (mm)	Air flow (m³/h)				
	30	45	60	75	90
75/100	2.4	5.4	9.2		
75/125	2.9	5.8	6.0		
90/100	1.5	3.3	6.1	9.3	12.2
90/125	1.4	2.6	5.0	7.8	10.7

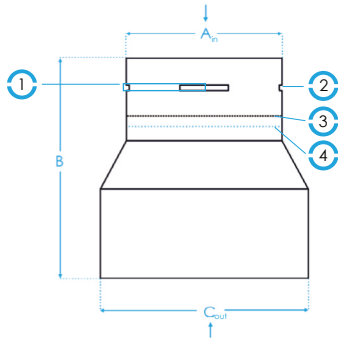
Measured according to: EN ISO 12238  
Measured for a reference air density of 1.2 kg/m³.



## Dimensions and Features:

### Flexible pipe to SPIRO fitting

Place the sealing ring on the pipe between the 1<sup>st</sup> and 2<sup>nd</sup> rib. Inset the pipe



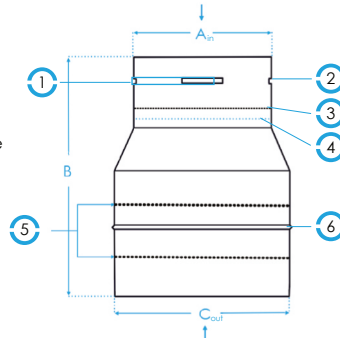
Insert the fitting with sealing ring into the adapter

units (mm)	LT-AD-	A <sub>in</sub>	B	C <sub>out</sub>
	75-100-N	78.8	130	100
	75-125-N	78.8	130	125
	90-100-N	92.8	130	100
	90-125-N	92.8	130	125

ID 75/100: LT-AD-75-100-N  
ID 75/125: LT-AD-75-125-N  
ID 90/100: LT-AD-90-100-N  
ID 90/125: LT-AD-90-125-N

### Flexible pipe to SPIRO duct

Place the sealing ring on the pipe between the 1<sup>st</sup> and 2<sup>nd</sup> rib. Inset the pipe



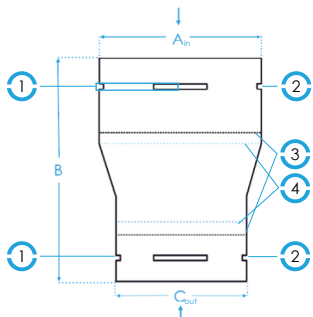
Slide the pipe in

units (mm)	LT-AD-	A <sub>in</sub>	B	C <sub>out</sub>
	75-100-V	78.8	160	100
	75-125-V	78.8	160	125
	90-100-V	92.8	160	100
	90-125-V	92.8	160	125

ID 75/100: LT-AD-75-100-V  
ID 75/125: LT-AD-75-125-V  
ID 90/100: LT-AD-90-100-V  
ID 90/125: LT-AD-90-125-V

### Flexible pipe

Place the sealing ring on the pipe between the 1<sup>st</sup> and 2<sup>nd</sup> rib. Inset the pipe



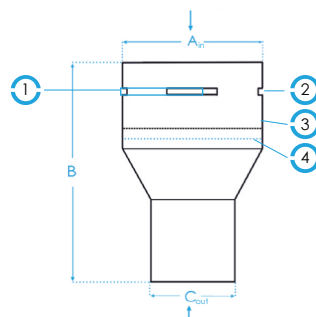
Place the sealing ring on the pipe between the 1<sup>st</sup> and 2<sup>nd</sup> rib. Inset the pipe

units (mm)	LT-AD-	A <sub>in</sub>	B	C <sub>out</sub>
	75-90	92.8	130	75

ID 75-90: LT-AD-75-90

### Flexible pipe to HT duct

Place the sealing ring on the pipe between the 1<sup>st</sup> and 2<sup>nd</sup> rib. Inset the pipe



Slide the HT duct flange onto the adapter

units (mm)	LT-AD-	A <sub>in</sub>	B	C <sub>out</sub>
	75-HT-40	78.8	130	40
	75-HT-50	78.8	130	50
	90-HT-40	92.8	130	40
	90-HT-50	92.8	130	50

ID 75/40: LT-AD-75-HT-40  
ID 75/50: LT-AD-75-HT-50  
ID 90/40: LT-AD-90-HT-40  
ID 90/50: LT-AD-90-HT-50

## Accessories:



**DALFLEX HYGIENIC - Flexible Pipe**  
ID: DALFLEX75b  
ID: DALFLEX90b



**Spiro Duct 100, 125, 150, 160, 200) 3 m**  
ID: SPIRO100  
ID: SPIRO125



**Self-adhesive Aluminum Tape**  
ID: ALU50/50



**Self-tapping Screws 4.2-13 mm SPIRO**  
ID: SCR4,2/13



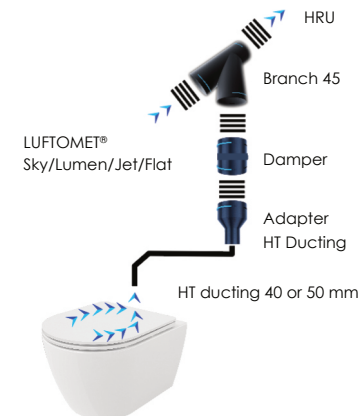
**Pipe Clamp for Ventilation Ducts**  
ID: CLAMP90



**Luftool Duct Cutter**  
ID: LT-DC-H-75  
ID: LT-DC-H-90

## Example of Product Use

We offer a solution to efficiently ventilate the toilet without heat loss. Modern toilets are often equipped with units for extracting odors. To make the system 100% energy efficient, it is advisable to integrate it into a heat-recovery ventilation system. Components are provided by the LUFTool Smell Well range.



Flexible corrugated pipe 75 or 90 mm

MADE IN CZECH REPUBLIC  
LUFTool Adapter

