

# LUFTOMET® Wall Triangle

LUFTOMET® Wall products are end elements for air distribution systems. They are used on exterior building facades for air intake or exhaust. These outdoor facade covers stand out with their stylish design and high-quality craftsmanship, easy installation and maintenance, and very low pressure losses.

## Our Air diffusers are:

- designed for ducts with diameters of 125, 160, and 200 mm
- equipped with a sealing ring on the spigot making them suitable for all types of ducts (EPE, EPS, EPP, SPIRO, etc.)
- suitable for fresh air intake and exhaust of normally polluted air (without chemical substances, etc.)
- made of metal, carefully powder-coated (white RAL 9010, black RAL 9005 matte, anthracite RAL 7016), or made of stainless steel (1.4301)
- equipped with a drip edge that diverts water drops away from the building facade and fitted with an insect screen

### Package includes:

Outdoor facade cover (without mounting accessories). Packed in a stretch film.

## Coding:

**LW - T - XXX - Y**

- Colour: N - Stainless Steel, A - Anthracite, W - White, B - Black
- Dimension: 125, 160, 200 mm
- Triangle
- LUFTOMET® Wall

## Pressure Drop Values $\Delta P$ (Pa):

$$P_{tot} = P_{stat} + P_{dyn}$$

Values for supply and exhaust air.

size (mm)	Air flow (m³/h)						
	50	100	150	200	250	300	350
125	3,3	11,5	24,7	44,0	68,7		
160	1,1	4,1	9,3	16,7	26,2	37,2	51,8
200	0,8	1,5	4,8	8,1	12,3	17,6	24,0

Measured according to: EN ISO 12238  
Measured for a reference air density of 1.2 kg/m³.

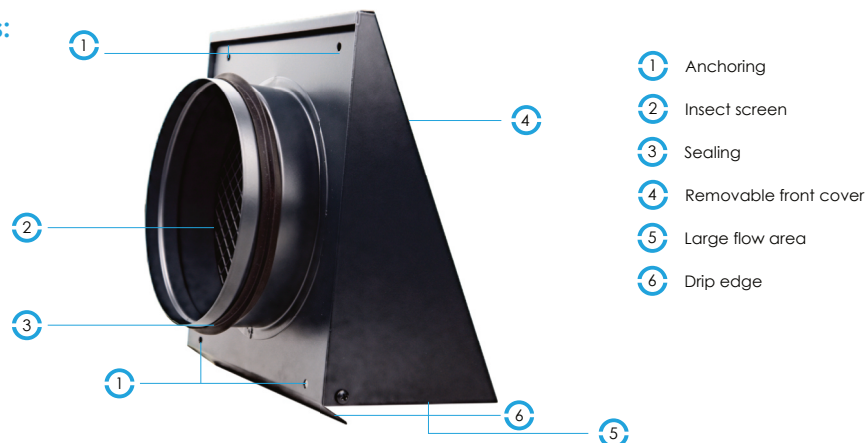
## Sound Power Levels A, LWA (dB):

Values for supply air.

size (mm)	Air flow (m³/h)						
	50	100	150	200	250	300	350
125	<20	<22	<28	<35			
160	<20	<21	<21	<24	<29	<34	
200	<20	<20	<20	<21	<24	<27	<34

Measured according to: EN ISO 5135  
Background correction according to: EN ISO 3741  
Calculation of levels according to: EN ISO 3741

## Features:

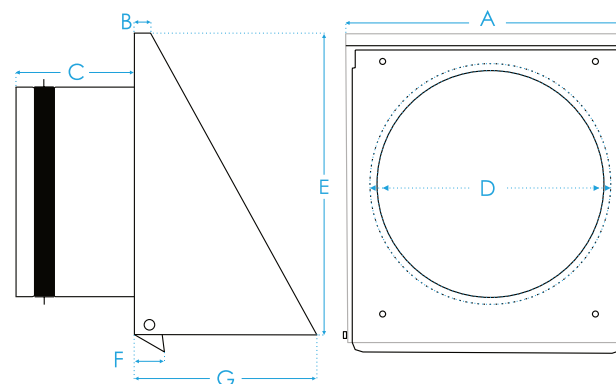


## Basic Types:

**Stainless Steel** ID: LW-T-XXX-N  
**White** ID: LW-T-XXX-W  
**Anthracite** ID: LW-T-XXX-A  
**Black** ID: LW-T-XXX-B



## Dimensions:



size (mm)	125	160	200
A	162	212	252
B	14	14	14
C	50	80	50
D	80	80	80
E	196	228	295
F	23	23	23
G	110	124	150

MADE IN CZECH REPUBLIC  
LUFTOMET® Wall Triangle

